



**ZODIAC**

MILITARY & PROFESSIONAL PRODUCTS DIVISION

**ZODIAC 1010 IO - Military, Enforcement**

Rev. August 2002  
TECHNICAL DATA SHEET

**Technical Specifications**

| Description                | Specification |
|----------------------------|---------------|
| <b>Length overall</b>      | 33.08'        |
|                            | 10.08m        |
| <b>Beam max.</b>           | 11.58'        |
| (inflated)                 | 3.53m         |
| <b>Draft</b>               | 24in          |
| (outdrive tilted up)       | 0.61m         |
| <b>Freeboard aft</b>       | 27in          |
| (@ max. weight w/ no crew) | 0.69m         |
| <b>Freeboard amidship</b>  | 27in          |
| (@ max. weight w/ no crew) | 0.69m         |
| <b>Deadrise aft</b>        | 24°           |
| <b>Deadrise amidship</b>   | 24°           |
| <b>Deadrise forward</b>    | 32°           |
| <b>Length rigid hull</b>   | 28.90'        |
| (from transom top to bow)  | 8.81m         |
| <b>Cockpit length</b>      | 24.50'        |
|                            | 7.47m         |
| <b>Cockpit width</b>       | 7.10'         |
| (horizontal deck surface)  | 2.16m         |
| <b>Cockpit depth</b>       | 22in          |
| (top of tube to deck)      | 0.56m         |
| <b>Tube diameter</b>       | 24in          |
|                            | 0.61m         |
| <b>Number of chambers</b>  | 7             |
| <b>Tube volume</b>         | 203 cu. ft.   |
|                            | 5752 liters   |

THIS MATERIAL CONTAINS PROPRIETARY DATA BELONGING TO ZODIAC INTERNATIONAL . UNAUTHORIZED DISCLOSURE, USE OR REPRODUCTION WILL RESULT IN LIABILITY. ZODIAC RESERVES THE RIGHT TO CHANGE THE SPECIFICATIONS OF THIS TECHNICAL DATA SHEET WITHOUT NOTICE.

ZODIAC - Military & Professional Products Division

For more information, contact the distributor in your region by visiting the Global Distributors listing at:  
<http://www.zodiacmilpro.com/distributors>



## ZODIAC

MILITARY & PROFESSIONAL PRODUCTS DIVISION

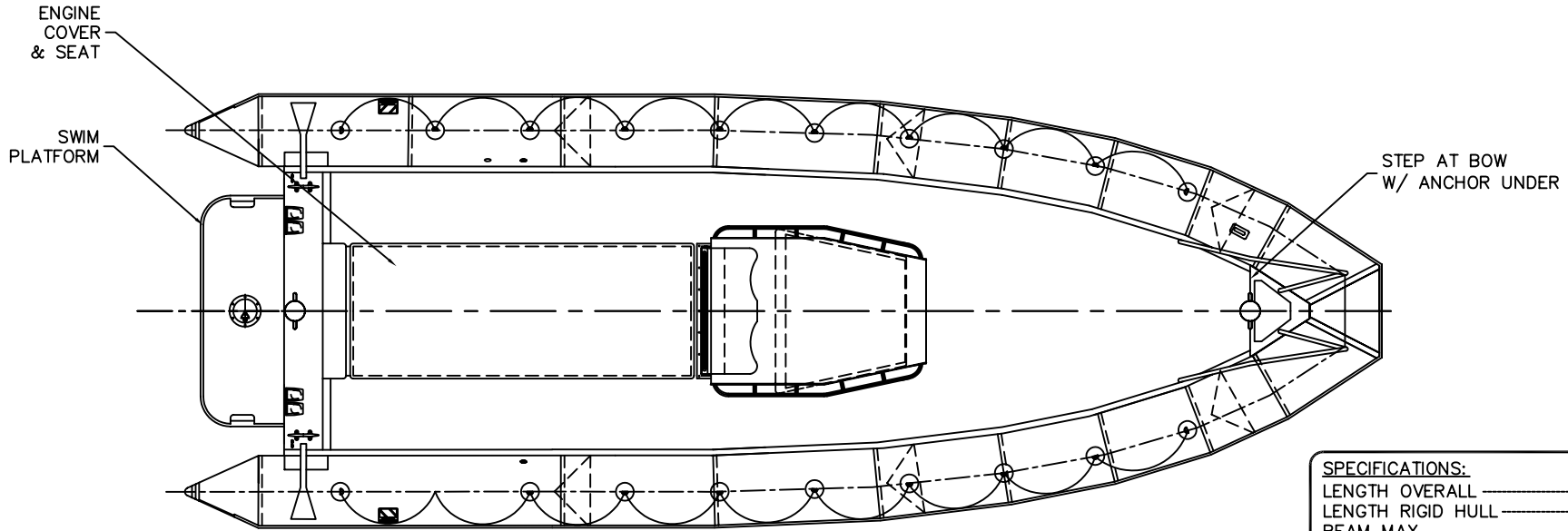
### 1010 IO Technical Specifications - Continued

| Description              | Specification |
|--------------------------|---------------|
| Hull material            | GRP           |
| Sponson material         | 1880 dtx      |
| Max. Horsepower          | 700           |
| Min. horsepower to plane | 350           |
| Fuel capacity            | 175 US gal.   |
|                          | 662 liters    |
| Person capacity          | 30            |
| Weight capacity          | 6300 lb.      |
| (including fuel)         | 2863 kg       |
| Payload                  | 4800 lb.      |
| (excluding fuel)         | 2182 kg       |
| Approx. hoisting weight  | 12400 lb.     |
| (max. weight w/ no crew) | 5636 kg       |

THIS MATERIAL CONTAINS PROPRIETARY DATA BELONGING TO ZODIAC INTERNATIONAL . UNAUTHORIZED DISCLOSURE, USE OR REPRODUCTION WILL RESULT IN LIABILITY. ZODIAC RESERVES THE RIGHT TO CHANGE THE SPECIFICATIONS OF THIS TECHNICAL DATA SHEET WITHOUT NOTICE.

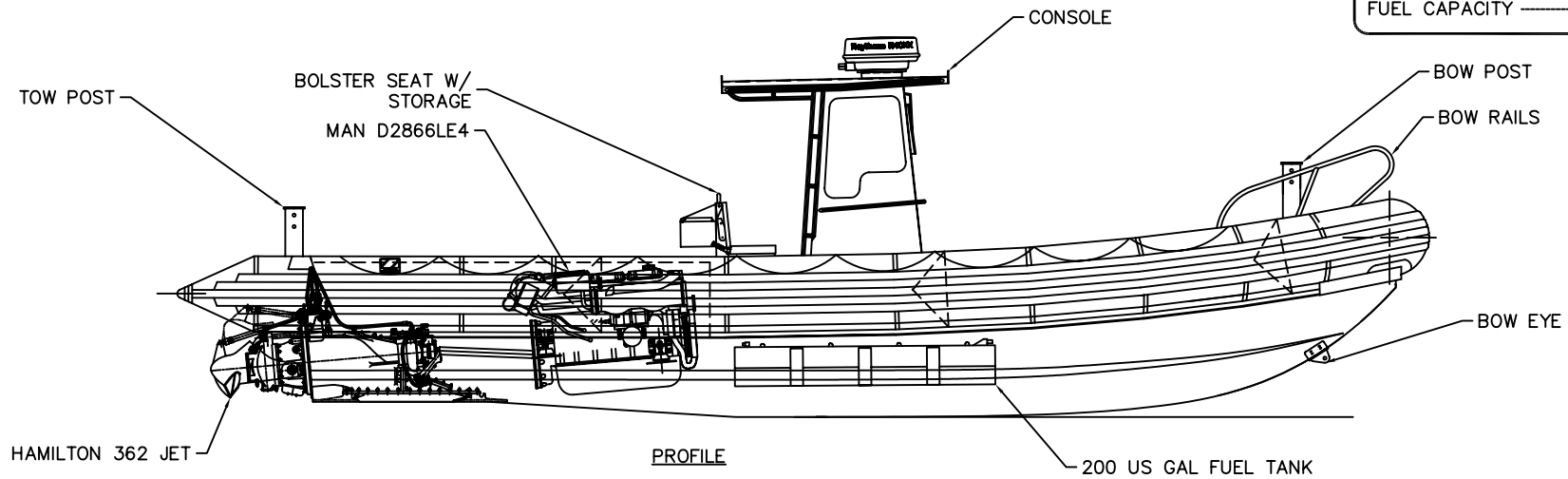
[ZODIAC - Military & Professional Products Division](#)

For more information, contact the distributor in your region by visiting the Global Distributors listing at:  
<http://www.zodiacmilpro.com/distributors>



PLAN

| SPECIFICATIONS:   |                     |
|-------------------|---------------------|
| LENGTH OVERALL    | 33'-1" (10085mm)    |
| LENGTH RIGID HULL | 29'-6" (8987mm)     |
| BEAM MAX          | 12'-0" (3657mm)     |
| BEAM RIGID HULL   | 9'-6" (2895mm)      |
| HORSEPOWER MAX    | 650 HP              |
| TUBE DIAMETER     | 24"-0" (610mm)      |
| FUEL CAPACITY     | 200 US gal. (757 l) |



PROFILE