

SR-6.3

SEA RIDERS

SEARIB

Grey Tube : Z85503



THE TOUGHEST RIBS

Zodiac Milpro™ Sea Riders boats have been proven in operation use around the world, by both military and professional operators with their unique water ballast system and deep “V” hull, giving the craft exceptional sea keeping capabilities, yet still offering high performance and manoeuvrability in the heaviest of seas.

The Zodiac Milpro™ Sea Riders boats can be ship launched and self-righting system, inboard variants are also available on certain models.

Zodiac Milpro™ have been at the forefront of the design and development of RIBs since its onset.



CAPACITY

. Max. number of pax (ISO6185) :	15	15
. Maximum payload (certificate) :	1450 kg	3197 lb
. Floorboard usable area :	5,40 m ²	58,13 ft ²
. Buoyancy tube volume :	2,28 m ³	80,52 ft ³

DIMENSIONS

. Overall length :	6,42 m	21' 1"
. Inside length :	4,60 m	15' 1"
. Overall width :	2,34 m	7' 8"
. Inside width :	1,32 m	4' 4"
. Weight empty :	680 kg	1499 lb
. Buoyancy tube diameter :	0,50 m	20"

ENGINE

. Propulsion system :	Outboard, Single	
. Shaft length :	Twin : L - 20"	L - 20"
. Recommended power :	Twin : 2 x 70 HP	2 x 52 kW
. Maximum power :	Twin : 2 x 90 HP	2 x 67 kW
. Maximum weight :	Twin : 2 x 175 kg	2 x 386 lb

SAFETY / INFLATION

. Design category (2013/53/EU) :	C
. Airtight compartments on main tube :	7
. Tube air pressure :	240 mbar 3,4 PSI



FABRIC

CSM / Neoprene Duratane™ fabric

. Buoyancy tube :	1670 dtx, polyester
. Baffle :	black, 1100 dtx, polyester

TUBE CONSTRUCTION

. Fabric :	Duratane®, 1670 dtx, polyester, CSM / Neoprene
. Color :	Grey, black, orange
. Tube/hull attachment :	Tube glued on hull
. Inflation valve on tube :	7
. Peripheral rubbing strake, flat profile, black :	3
. Additional bow rubbing strake, black :	1

HANDLING / LIFELINE

. Exterior lifeline on D-rings :	1+1
. Interior lifeline on D-rings :	1+1

HULL CONSTRUCTION

. Hull material :	Glass reinforced plastic, grey gel-coat
. Color :	Navy grey
. Hull type :	Integrated water ballast system
. Deck grip :	Anti-slipping, stipple finition
. Underdeck :	Water-ballast system

OPTIONAL EQUIPMENT

TUBE EQUIPMENT

- . Bow protection net / Anchor guide / Treadmaster :
- . Lettering / Logo :

HULL PROTECTION

- . Beaching shoe / Antifouling

STRUCTURAL EQUIPMENT

- . Stand-up console (GRP - small - 1 pax)
- . Jockey seat with storage (1 or 2 pax.)
- . Jockey seat with fuel tank (1 or 2 pax.)
- . Jockey seat frame only (2 or 3 pax.)
- . Bolster medium (1 pax)
- . Foot strap
- . Roll-bar / mast
- . Self righting system
- . Bow post / Tow post
- . Dive cylinder support (4 / 6)
- . Overall cover (boat only / boat & engine)

NAVIGATION COMMUNICATION

- . VHF / AIS / Intercom / GPS / Radar / Sounder
- . Navigation lights / Deck lights / Strobe light / Search light
- . Hailer / Siren / Radar reflector / EPIRB / SART

TOWING / LIFTING

. Bow mooring eye : stainless steel	1
. Bow towing U-bolt on hull : stainless steel	1+1
. Aft transom towing U-bolt on hull : stainless steel	1+1
. Bow lifting U-bolt on hull : stainless steel	1+1
. Aft transom lifting U-bolt on hull : stainless steel	1+1

STERN TRANSOM

. Large flow self-bailer w/ sleeve :	2
. Transom engine reinforced pad (marine plywood) :	2
. Crossleg reinforcements :	1

OTHER EQUIPMENT

. Bellows foot pump + hose :	1
. Repair kit (manometer included) :	1
. Paddle (aluminium shaft, plastic blade) :	2
. Paddle sleeve, fabric flap :	2

ACCESSORIES

- . Trailer
- . V towing bridle bow / aft
- . Lifting sling
- . Mooring kit : anchor, chain, rope
- . Watertight bow bag / pouch / collar bag
- . Ancillary equipment : hook, life jacket, extincor, mirror, life ring...
- . Ladder (flexible / rigid)

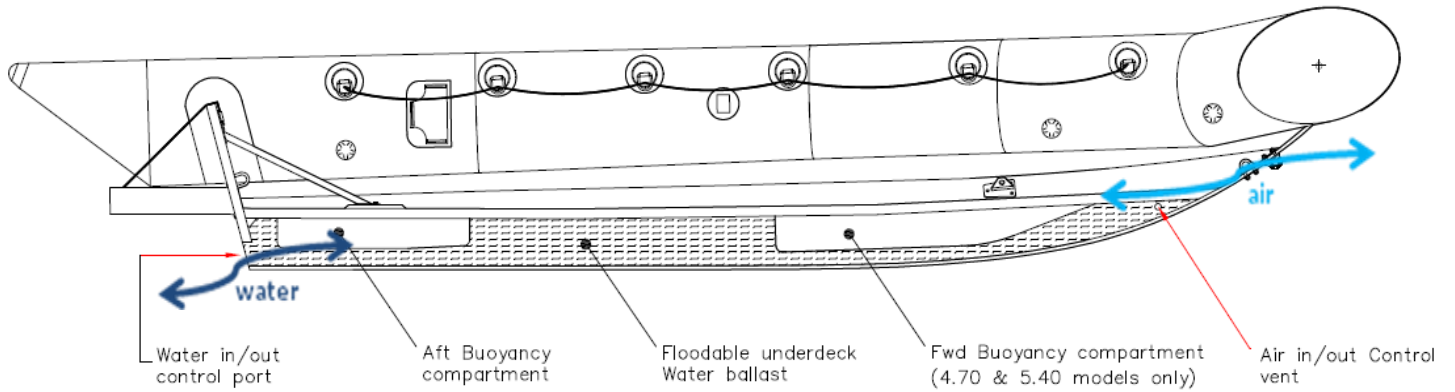
PROPULSION SYSTEM

- . Twin engine configuration
- . Engine (any brand or power) / rigging kit
- . Waterproof indirect / Underwater direct bag OB engine
- . Complete electric system with battery(ies)
- . Complete fuel system with separator filter(s)
- . Hydraulic or mechanical steering system
- . Flexible fuel tank (6-9-18 USG - 22-34-68 L)
- . Rotomoulded fuel tank (23 USG - 90 L)

MISCELLANEOUS

- . Training (commissionning, maintenance, piloting, airdrop...)

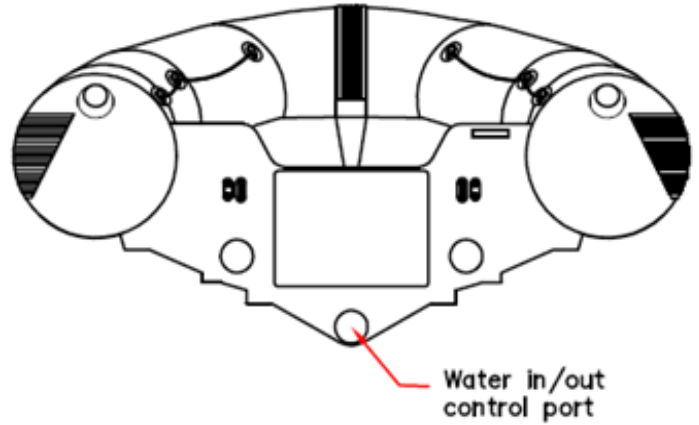
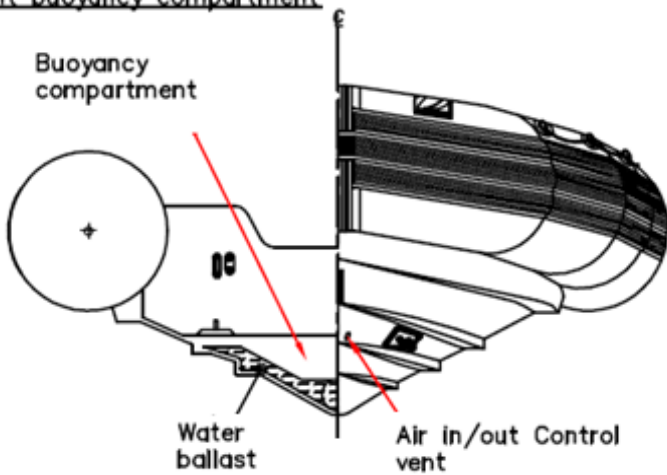
WATER BALLAST SYSTEM



Section along centreline of craft

Section at stern through aft buoyancy compartment

Section on bow



View on transom